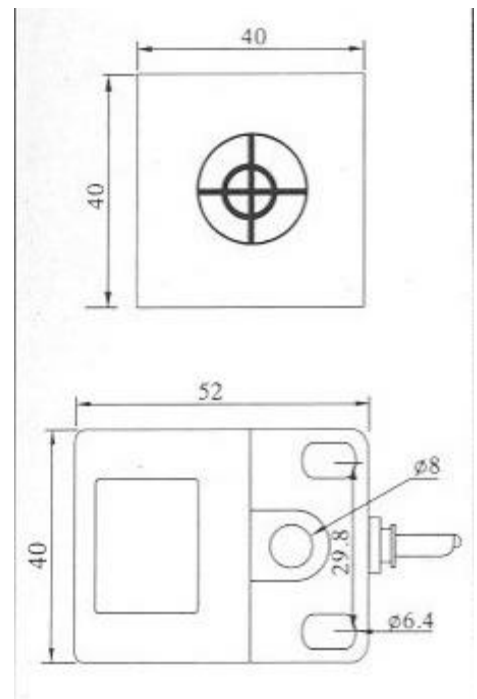




型號：RA-4020

| | | |
|-----------------------|------------------------|--------------------|
| Dimension | 40 x 40 mm | |
| Detecting Distance | 20mm | |
| Standard Object | Iran 30x30x1t | |
| Setting Distance | 0-16mm | |
| Degree Of Protection | IP 67 | |
| Indicator | RED LED | |
| Protection Loop | ReverseProtection Loop | |
| Operating Temperature | -25°C to + 70°C | |
| Operating Humidity | 39 to 95% RH | |
| Power Supply | 10 - 30V DC | |
| Output | NPN NO PNP PO | |
| Current Consumption | 10mA Max | |
| Load Current | 200mA Max | |
| Response Frenquency | 400Hz | |
| Housing Material | PBT | PBT material |
| Wire Material | PVC | PVC Oil resistance |
| Weight | 180g | |



RE CHENG HSU AUTOMATIC INDUSTRIAL CO.,LTD

Address:NO.10.Lane 271,sec. 2 Pingdong Road.,
Pingjhen City,Taoyuan County 324,Taiwan(R.O.C)

TEL :886-3-460-1638

FAX :886-3-460-3820

E-mail : dsnfg02452@gmail.com

Website:<http://www.rc-drh.com.tw>

南區營業所:台南縣永康市中正北路54號5樓之13

TEL:06-2434092

FAX:06-2434093